



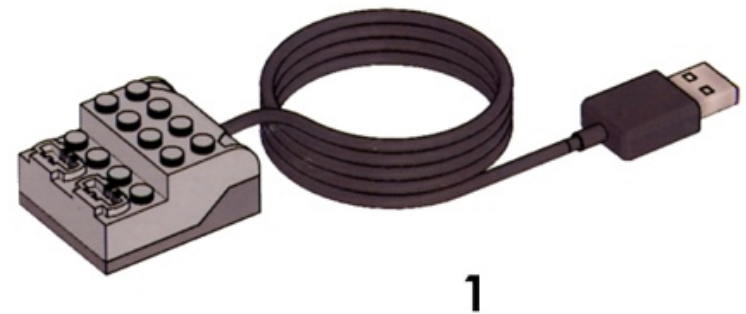
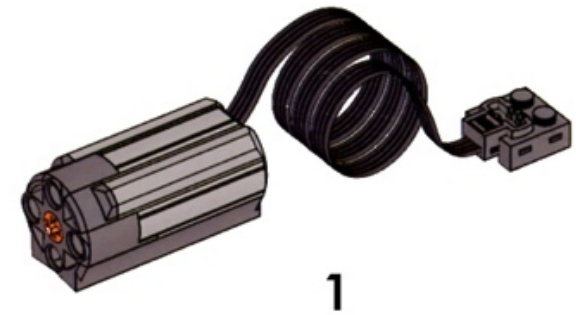
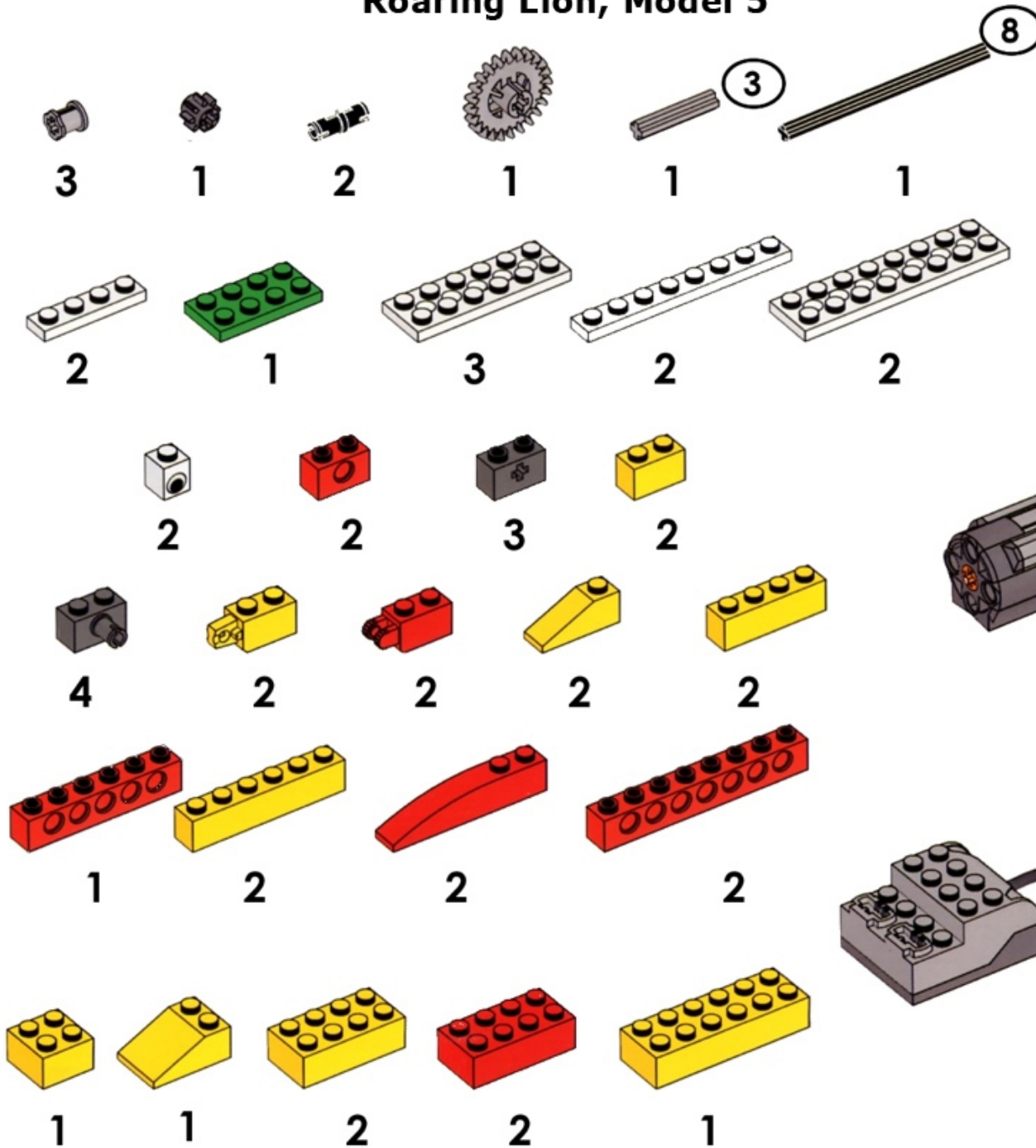
Roaring Lion

Model 5

Source : Plan et images de LEGO Education
Modification et bonification des plans par le Service national du RÉCIT à l'éducation préscolaire
February 2010

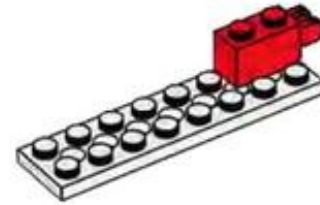
Translation: LEARN-RÉCIT February 2011

Roaring Lion, Model 5





1

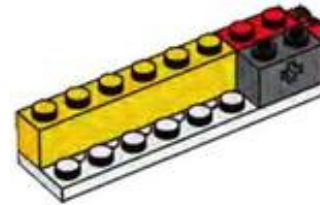


1 plate
2 X 8

1 red hinge
1 X 2



2



1 yellow beam
1 X 6

1 grey beam with crosshole
1 X 2

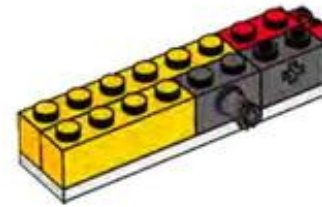


1 yellow beam
1 X 4

1 grey brick with
connector peg
1 X 2



3

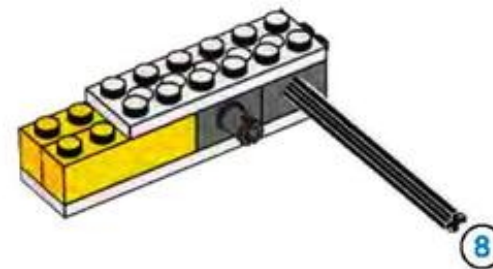


1 plate
2 X 6

1 axle
(8-module)



4



5

1 plate
1 X 8

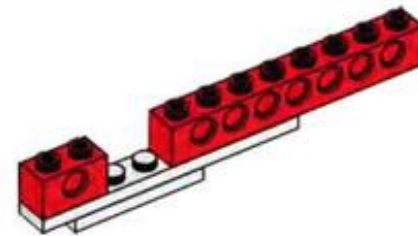
1 plate
1 X 4



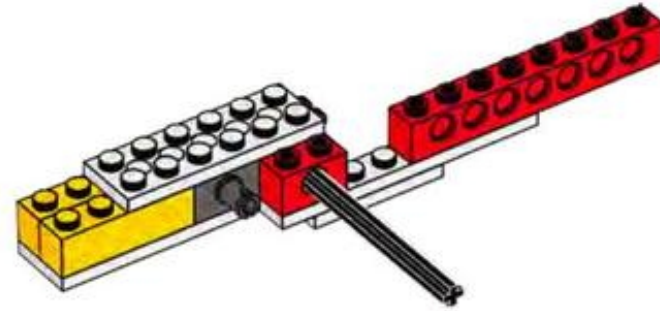
6

1 red beam
1 X 8

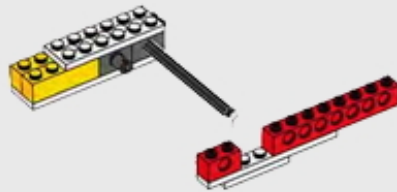
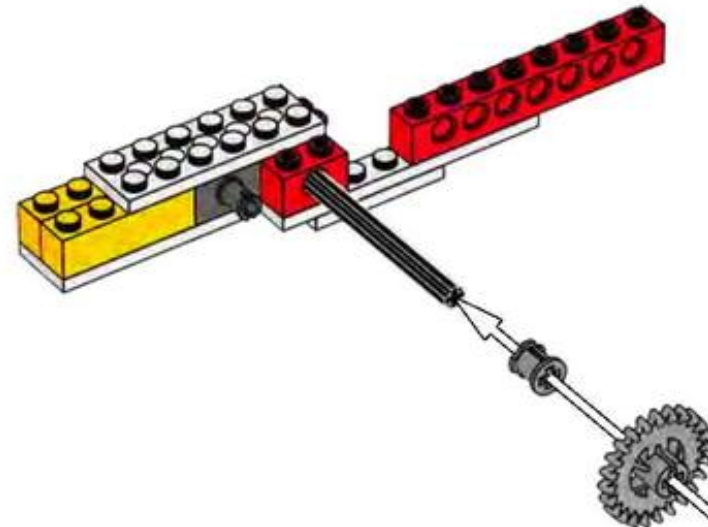
1 red beam
1 X 2



7



8

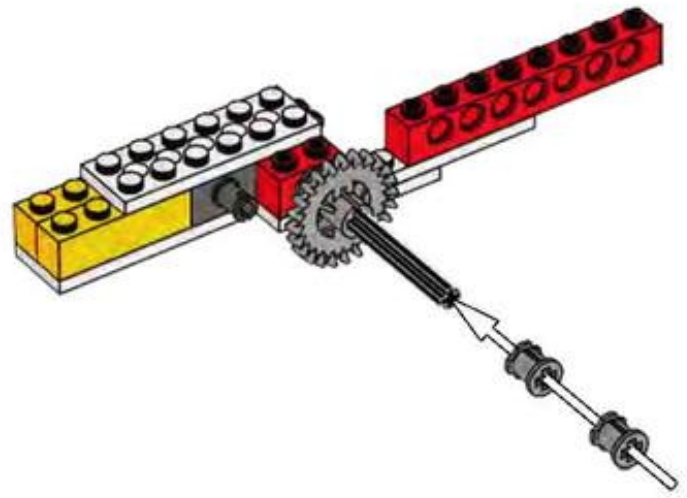


1 grey bushing

1 crown gear, 24 tooth

9

2 bushings

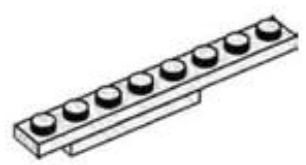


10

1 white plate
1 X 8



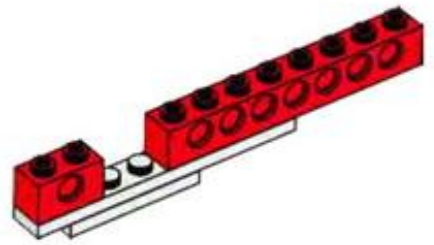
1 white plate
1 X 4



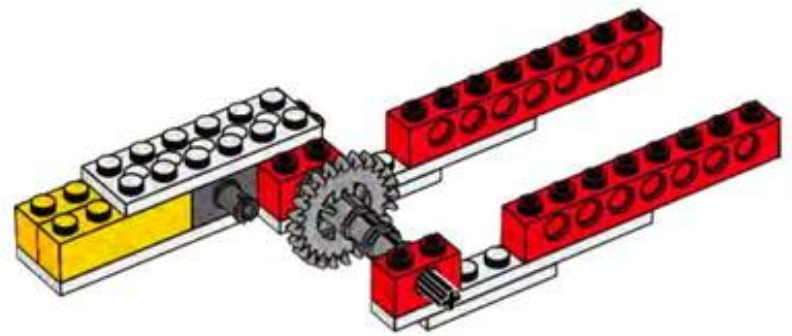
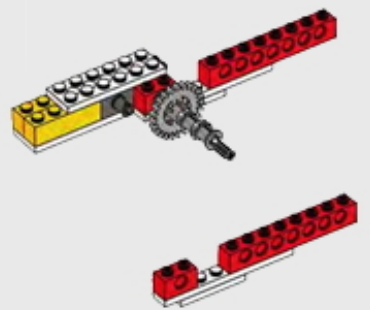
1 red beam
1 X 8
1 red beam
1 X 2



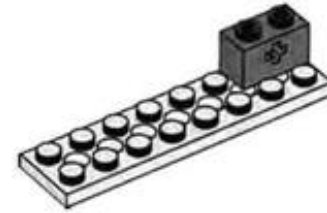
11



12



13

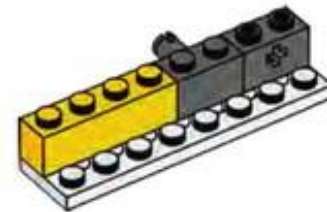


1 plate
2 X 8

1 beam with crosshole
1 X 2



14



1 yellow beam
1 X 4

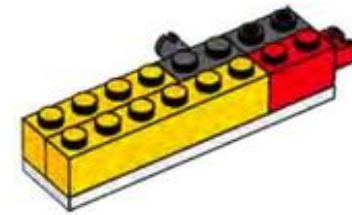
1 beam with connector peg



15

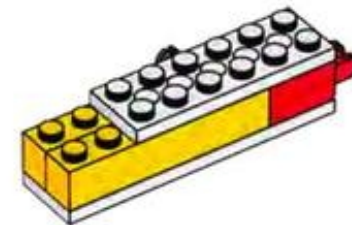
1 yellow beam
1 X 6

1 red hinge
1 X 2

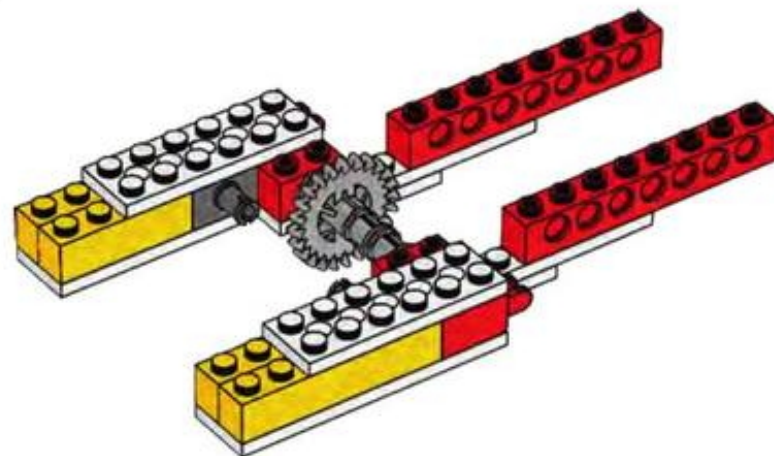
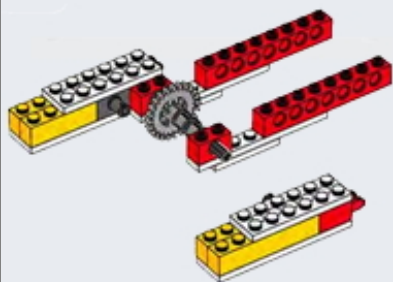


16

1 plate
2 X 6



17



18

1 axle, 3-module

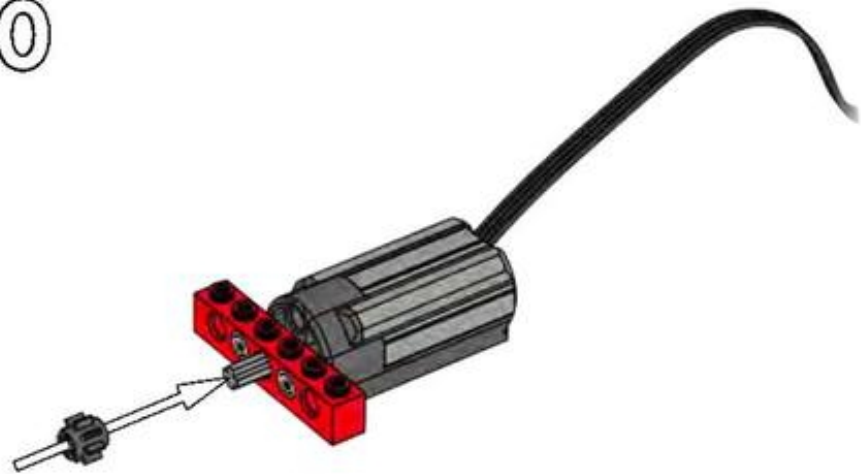
1 motor



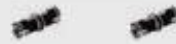
19



20



2 connector pins with friction

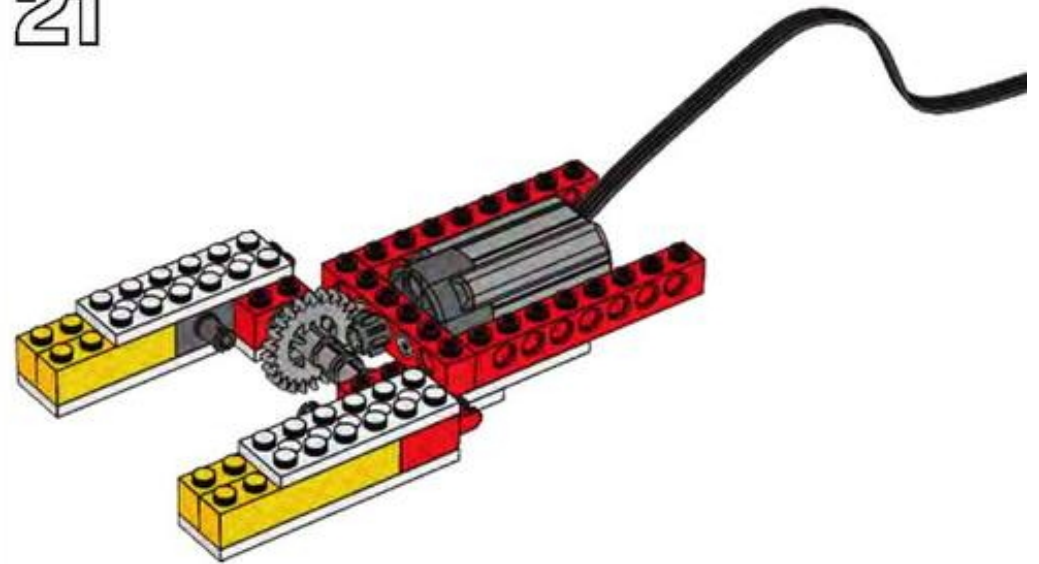


1 red bean
1 X 6

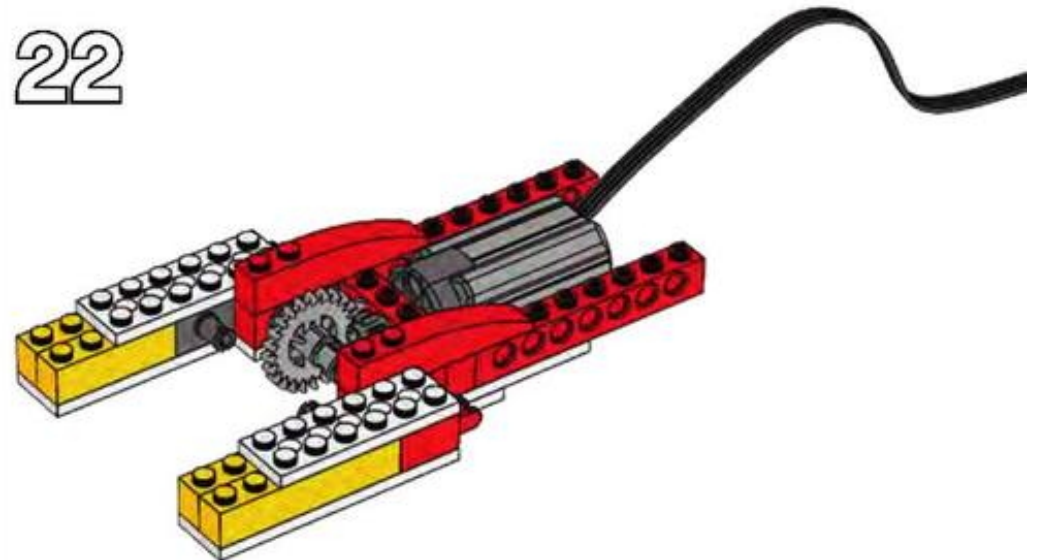


1 gear, 8-tooth

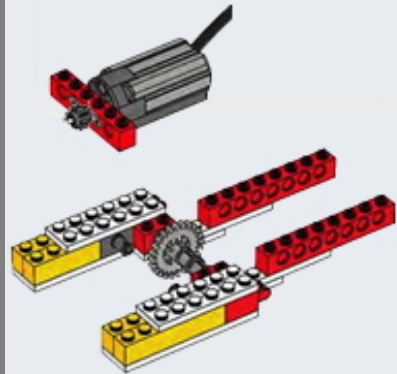
21



22

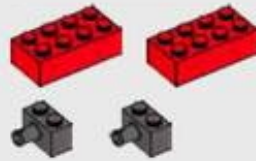


2 red curved beams
1 X 6

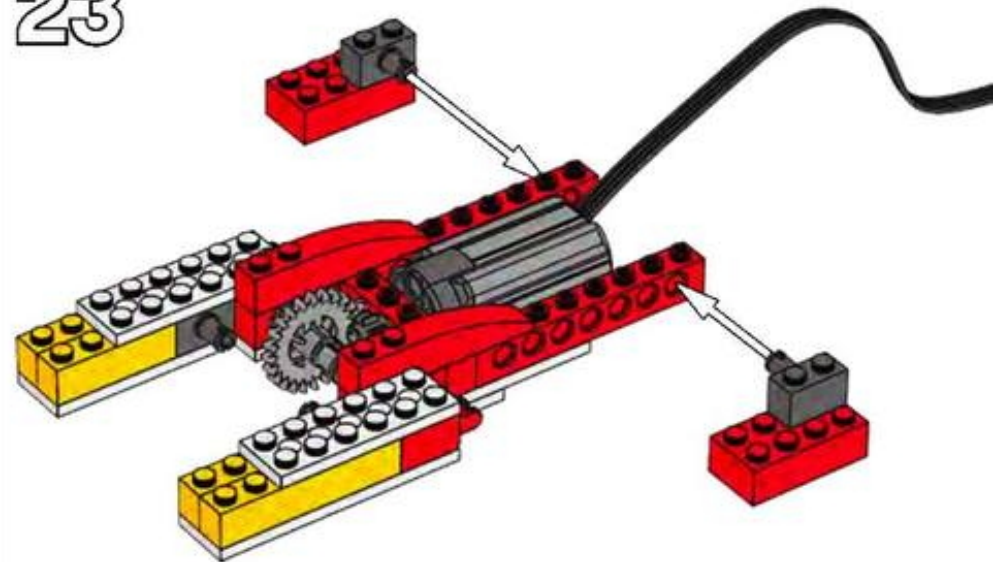


2 red bricks
2 X 4

2 beams with connector peg
1 X 2

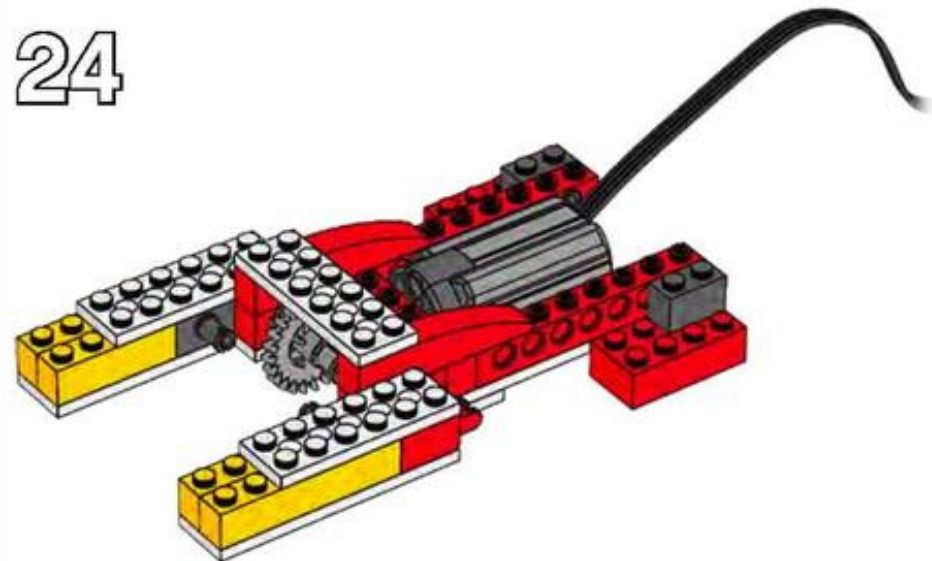


23



24

1 plate
2 X 6



25



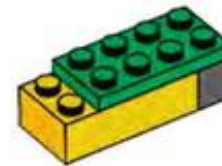
1 yellow brick
2 X 4

1 beam with crosshole
1 X 2



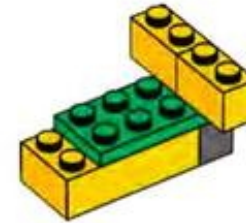
26

1 green plate
2 x 4



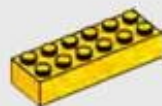
27

2 yellow beams
1 X 2



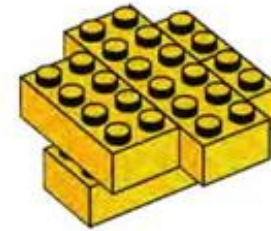
28

1 yellow brick
2 X 6



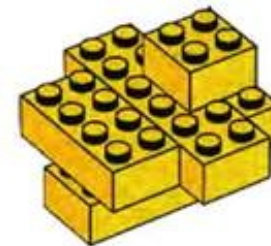
29

1 yellow brick
2 X 4



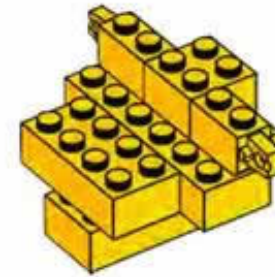
30

1 yellow brick
2 x 2



31

2 yellow hinges
1 X 2

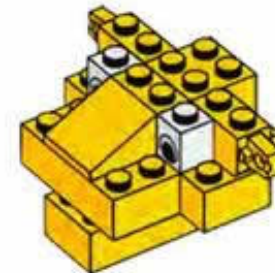


32

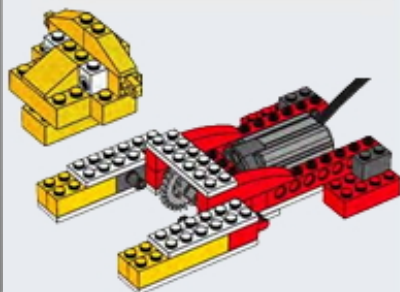
2 beams with eye
1 X 1



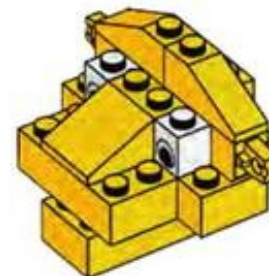
1 yellow roof brick
2 X 3



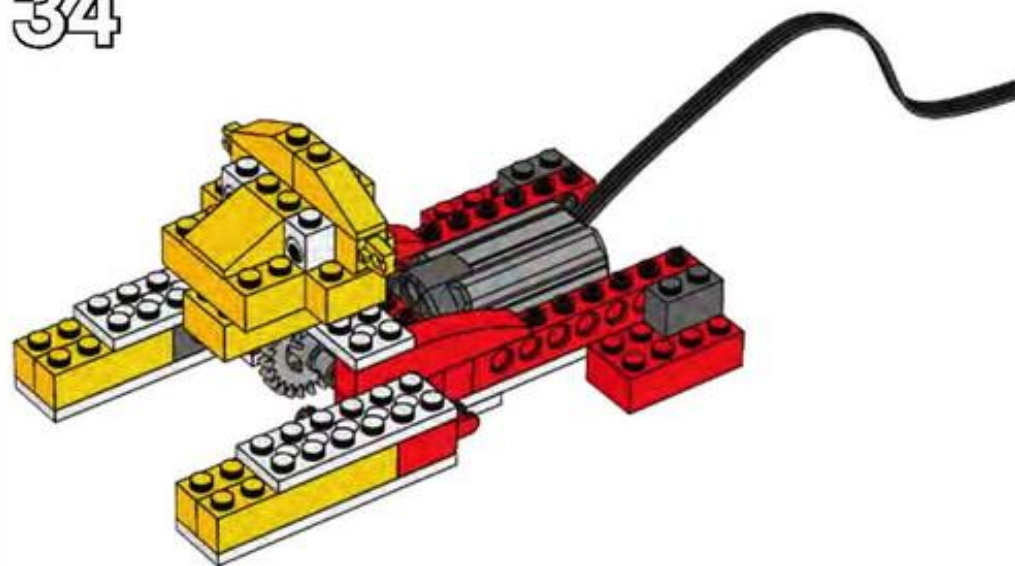
2 yellow roof beams
1 X 3



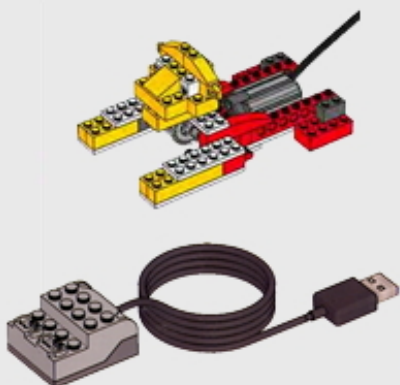
33



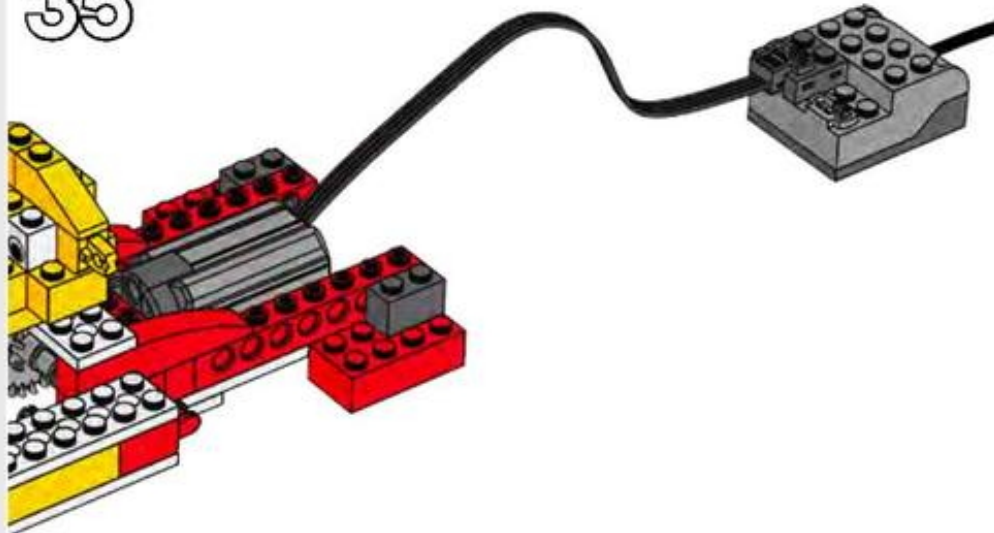
34



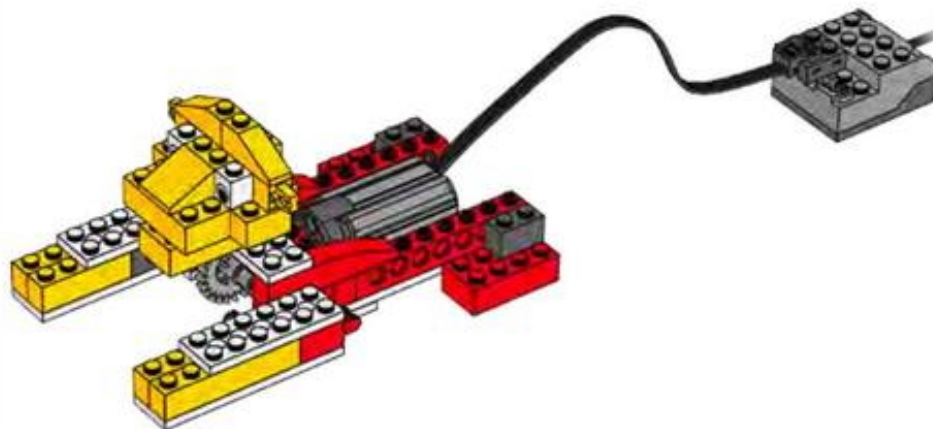
1 USB hub



35



36



Well
done!