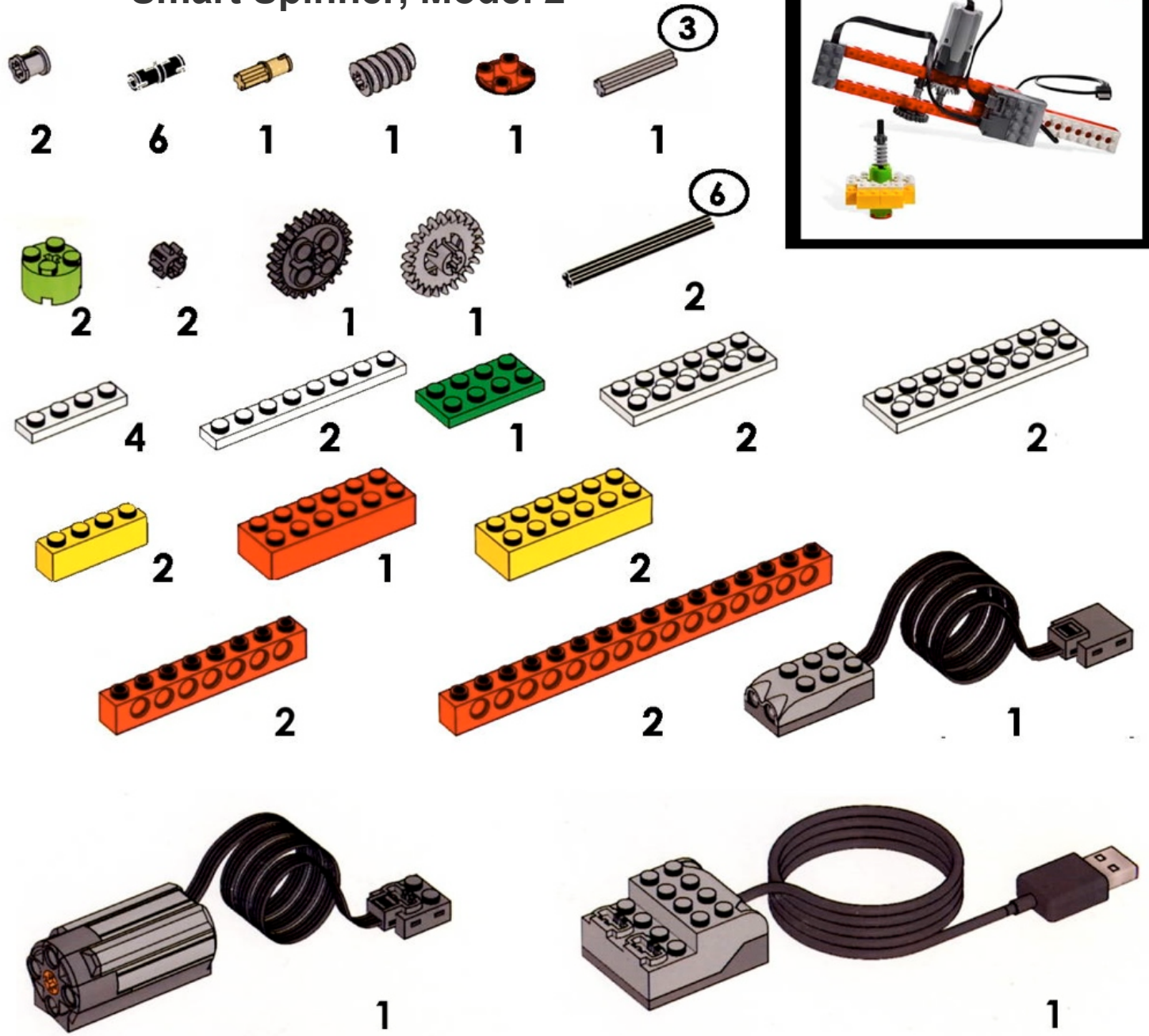


Smart Spinner

Model 2

Source : Plan et images de LEGO Education
Modification et bonification des plans par le Service national du RÉCIT à l'éducation préscolaire
Mars 2009.
Translation: LEARN-RÉCIT

Smart Spinner, Model 2

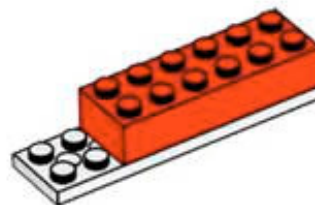




1

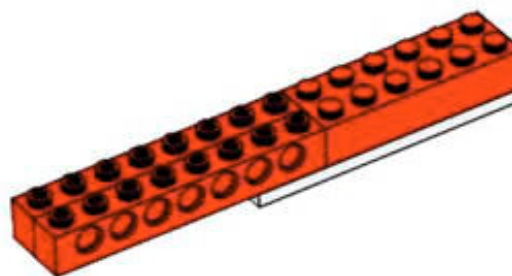
1 plate 2 X 8

1 red brick 2 X 6



2

2 red beams 1 X 8



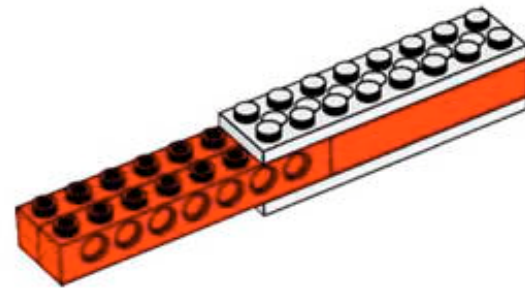
1 plate 2 X 8



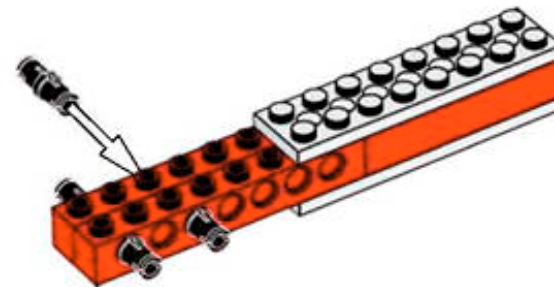
4 connector pegs
with friction



3



4



1 beam 1 X 16

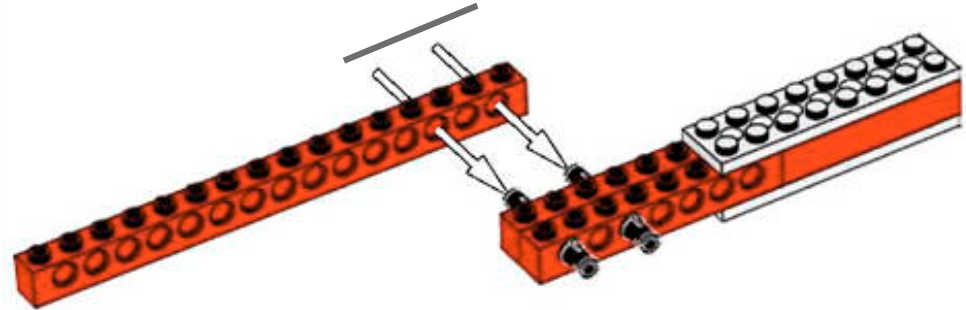


1 plate 1 X 8
2 connector pegs
with friction



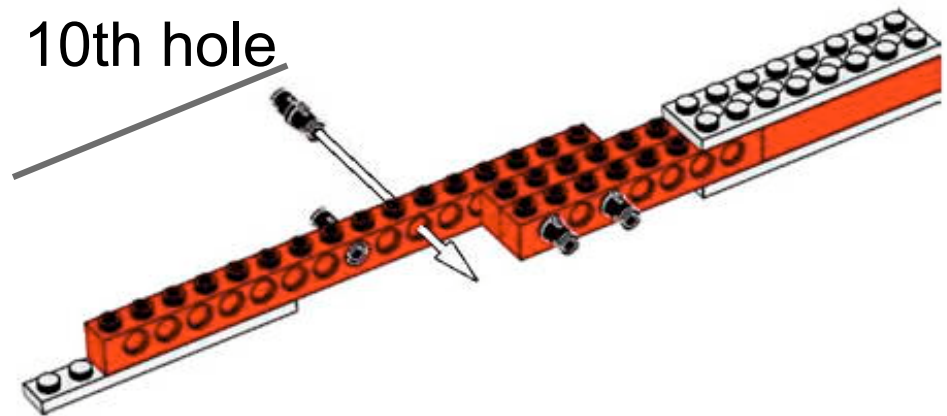
5

1st and 3rd holes



6

10th hole



1 axle
(3-module)

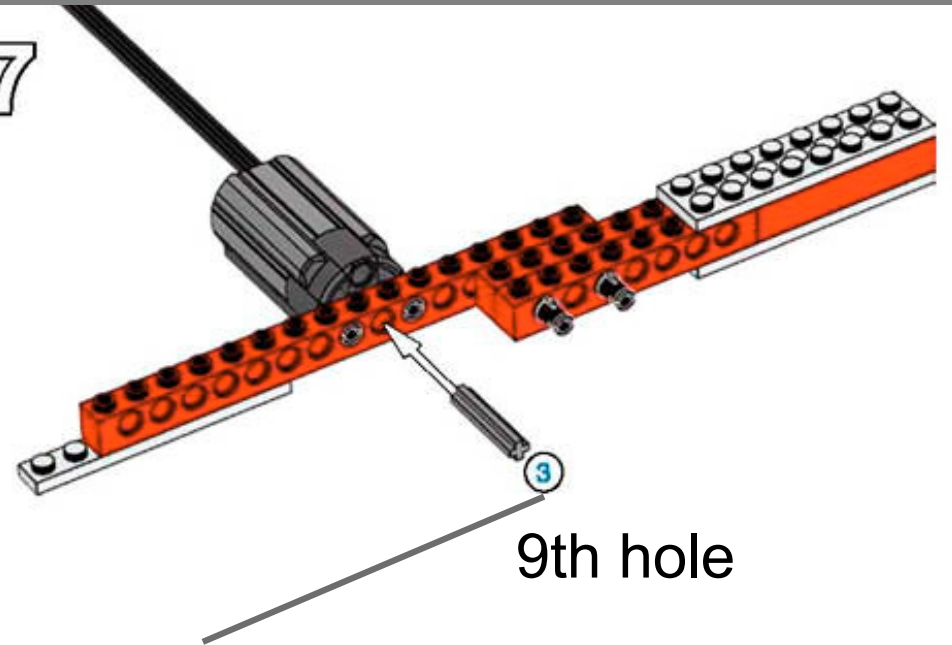
1 motor



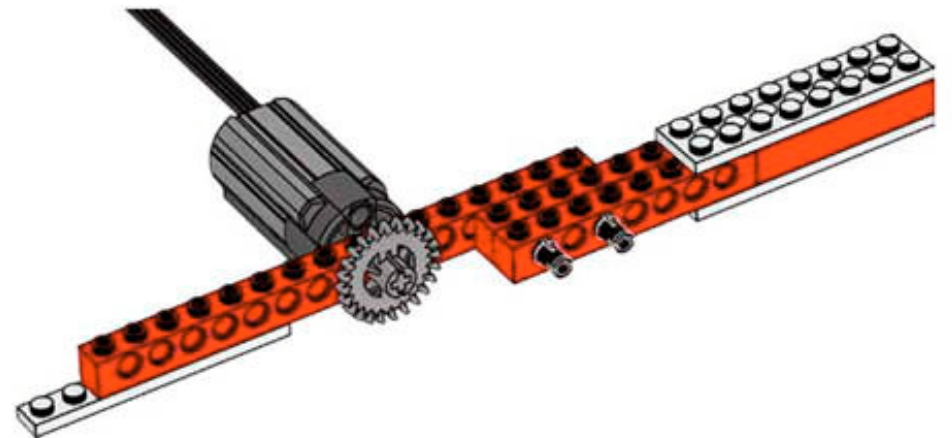
1 gear with crown
(24-tooth)



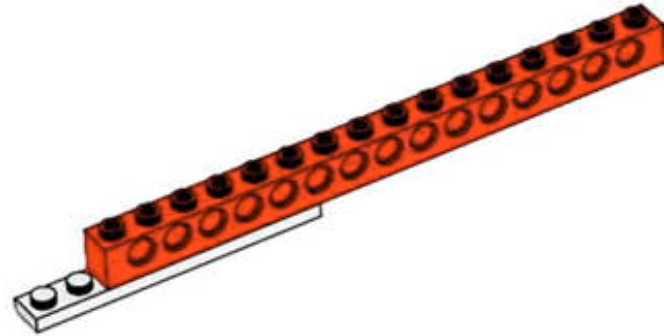
7



8

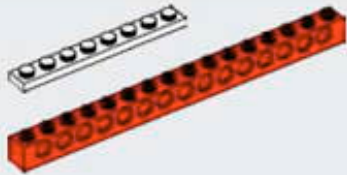


9



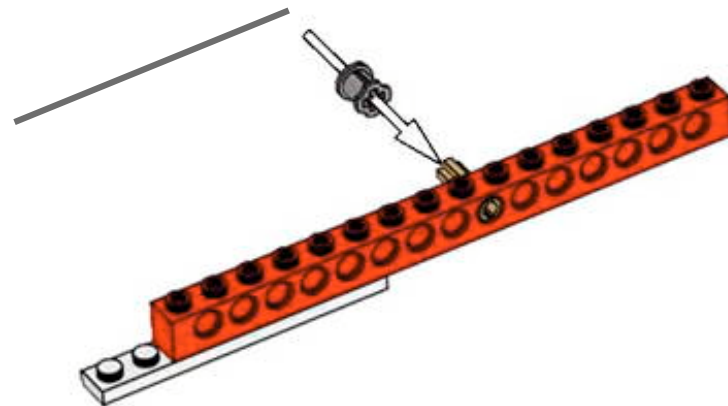
1 plate 1 X 8

1 red beam 1 X 16



10

9th hole



1 connector peg
with axle

1 bushing

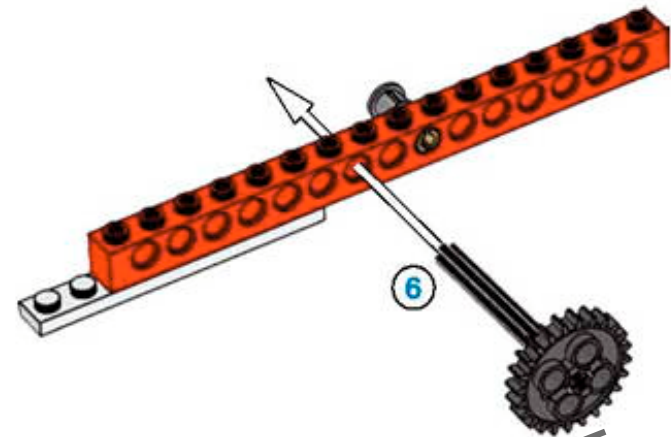


1 axle
(6-module)

1 gear
(24-tooth)



11



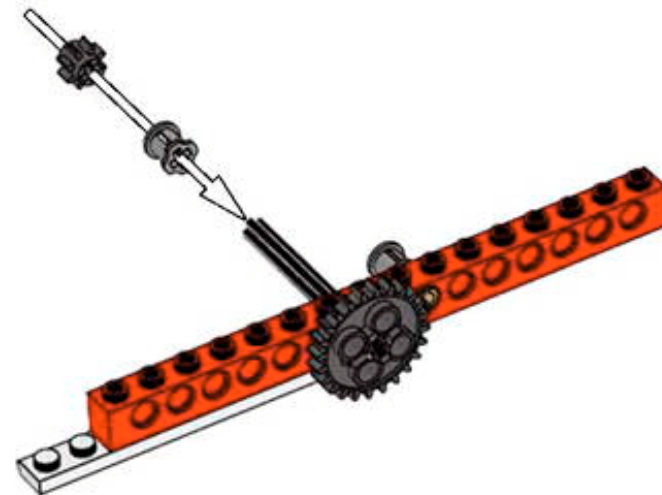
7th hole

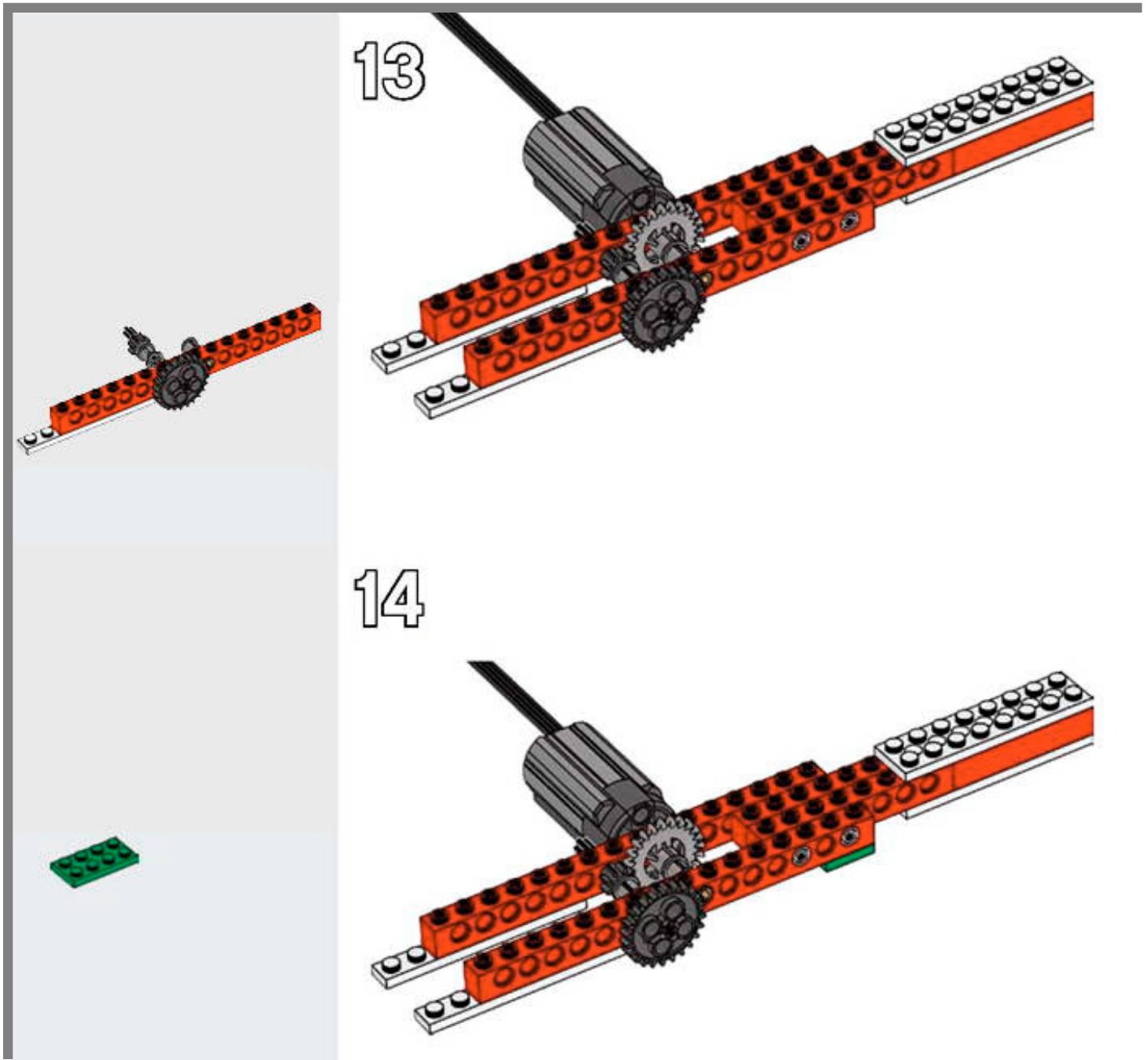
1 bushing

1 axle
(8-tooth)



12





13

14

1 plate 2 X 4

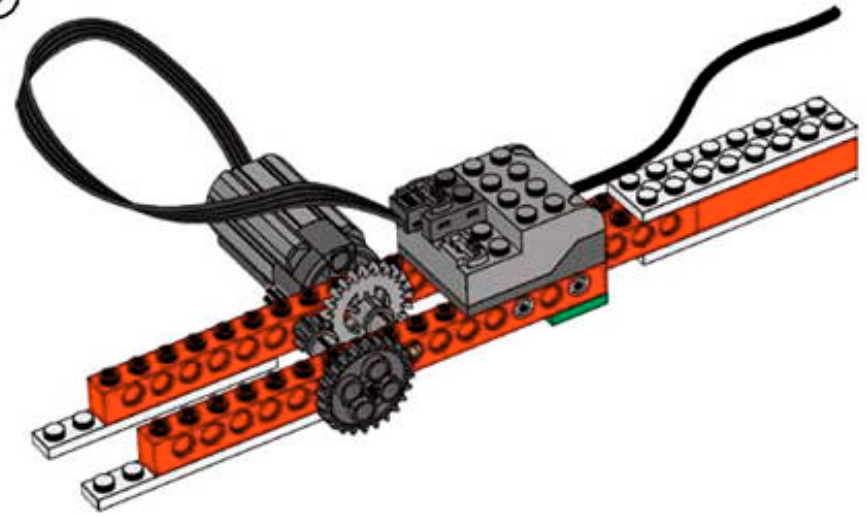
1 USB hub



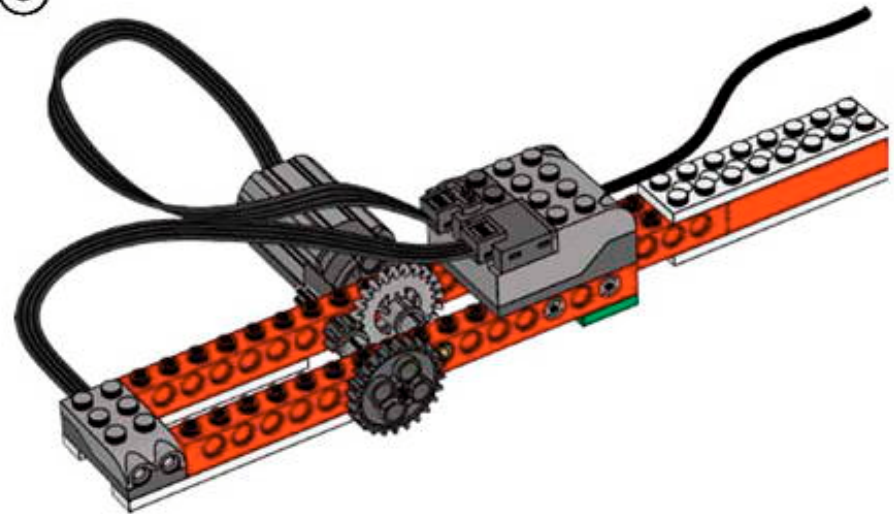
1 motion sensor



15



16



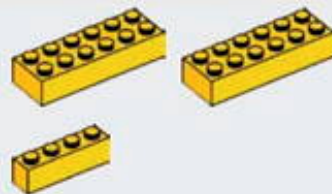
17



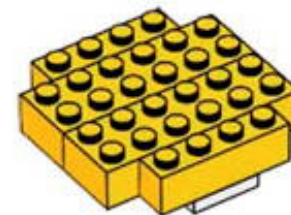
1 yellow beam 1 X 4
1 plate 2 X 6



18

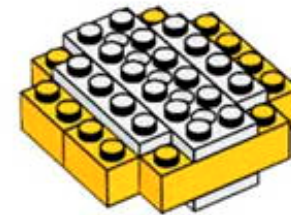


2 yellow brick 2 X 6
1 yellow brick 1 X 4



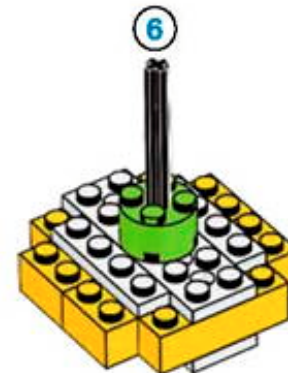
19

1 plate 2 X 6
2 plates 1 X 4



20

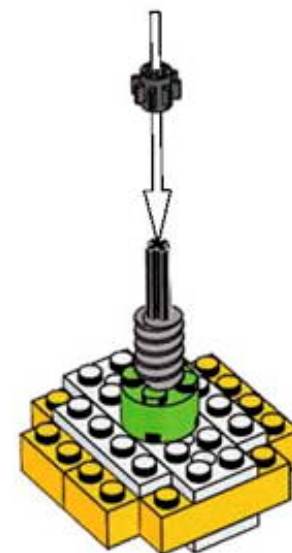
1 round brick 2 X 2
1 axle
(6-module)



1 worm gear
1 gear
(8-tooth)



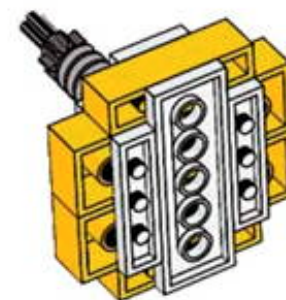
21



2 plates 1 X 4



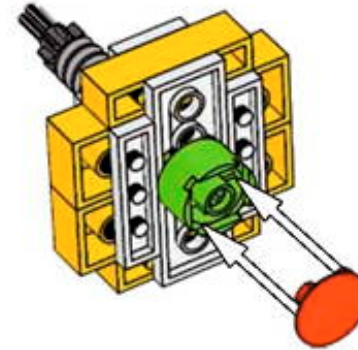
22



1 round brick 2 X 2
1 skid plate



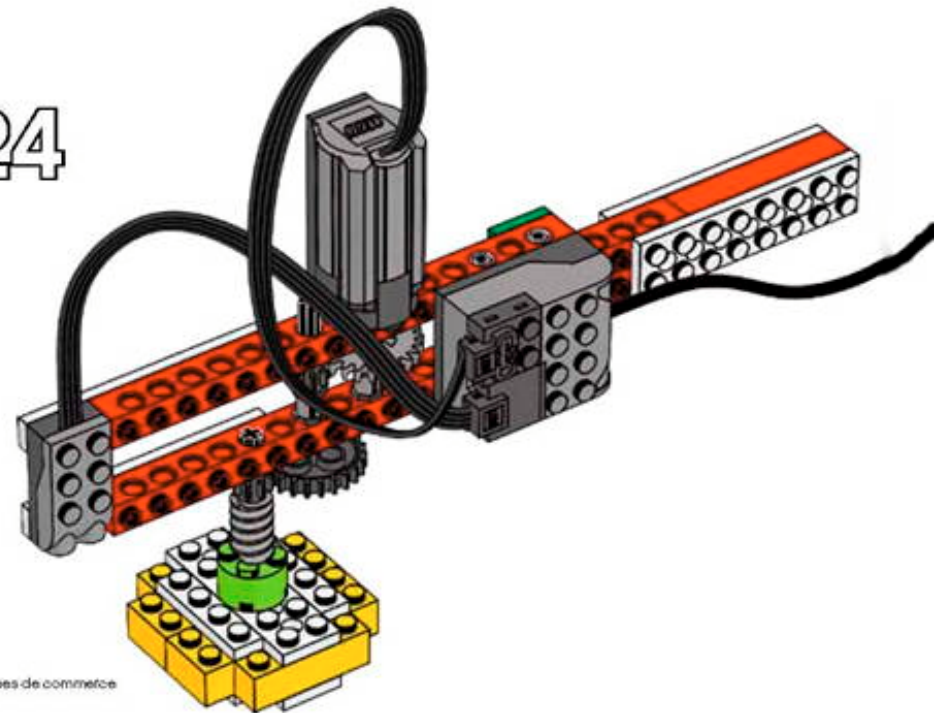
23



Well
done!



24



LEGO, the LEGO logo and WEDO are trademarks of the/son des marques de commerce
de/son marcas registradas de LEGO Group. ©2008 The LEGO Group.